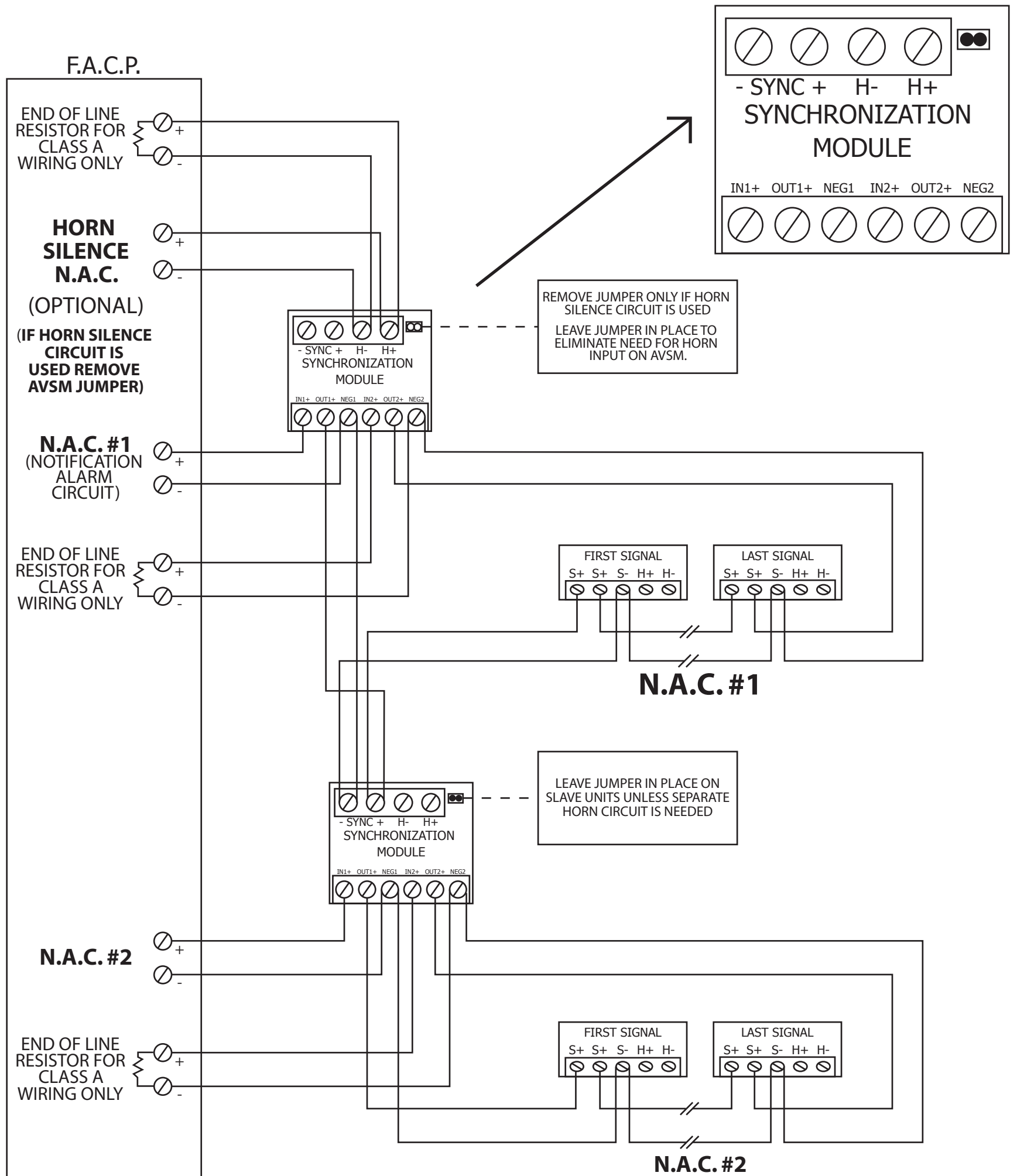


# Wiring for Multiple CLASS A Circuits and Use of a Slave Module



**NOTE: Crossing lines DO NOT Indicate Connections**